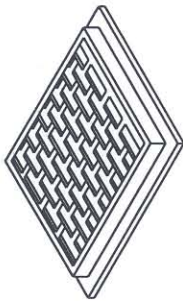
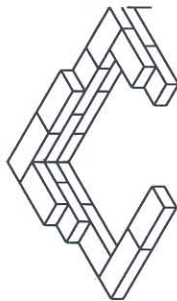


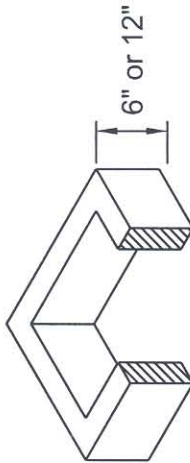
Typical Vane Grate or as approved by the City Engineer See note 6.



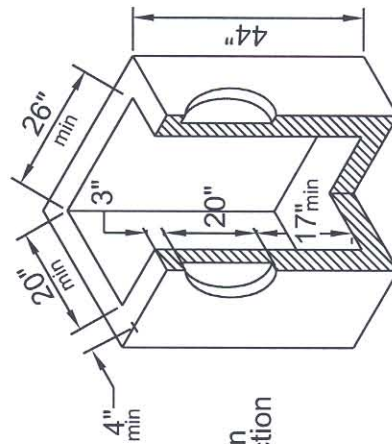
2"x4"x8" solid concrete bricks used for final grade adjustment. Max. 3 brick (6") high. All bricks shall be installed with portland cement mortar between all bricks and on both sides of bricks prior to placement of concrete for curbs.



6" or 12" concrete riser section (pre-cast).



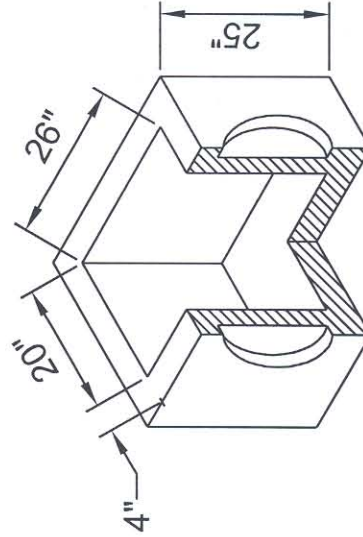
Precast concrete basin section. Min. wall section of 4".



TYPE I CATCH BASIN

NOTES:

1. Base to be constructed in accordance with WSDOT/APWA specifications or as approved by the City Engineer.
2. Reinforcing shall be equivalent to welded wire fabric having a minimum area of 0.12 square feet per foot. Fabric shall not be placed in knockouts.
3. All side access into the base shall be through a precast knockout.
4. Bottom of the base may be rounded.
5. Knockouts shall have a thickness not less than 2 inches.
6. Grate type shall be vane type unless otherwise specified by the City Engineer.
7. Catch basin standard frame and grate shall be 18" x 24" ductile iron vane grate with H20 load rating.
8. If the grate is offset from the structure so no support is provided under the adjustment bricks on the back side, a 1/2" x 12" x 32" steel plate shall be installed across the back prior to placement of the bricks.



INLET

 DEPARTMENT OF PUBLIC WORKS	STANDARD PLANS	STM 01
	TYPE I CATCH BASIN AND INLET APPROVED: <i>[Signature]</i> Director of Public Works/City Engineer	
REVISION: MAY 2005		NOT TO SCALE
BY:		L.C.