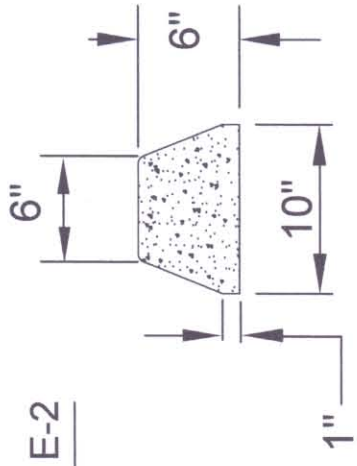


TYPE E-2

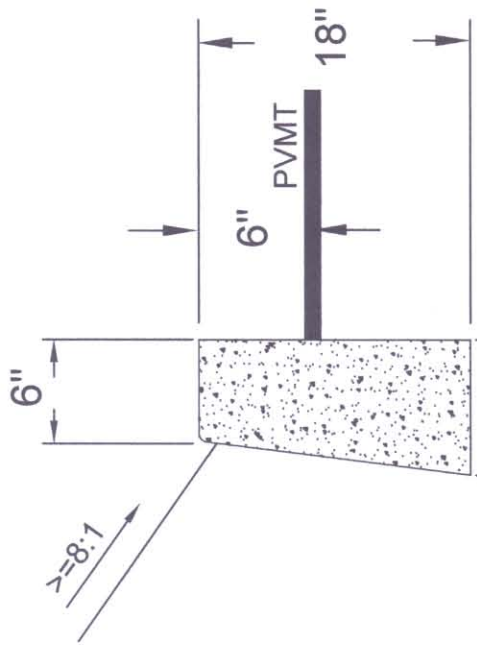


EXTRUDED

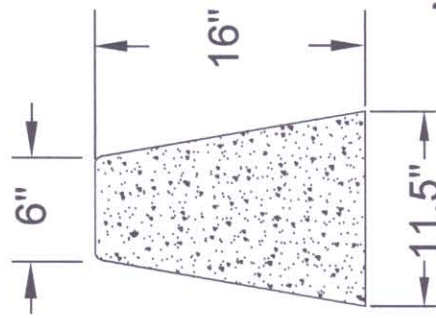
(PRIVATE PROPERTY ONLY)

NOTES:

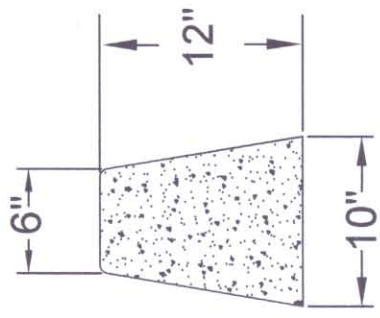
1. EXPANSION JOINTS (FULL DEPTH) SHALL BE PLACED AT 10 FEET ON CENTER AND AT ALL COLD JOINTS FOR CURB TYPES E-1, E-2, E-3 AND E-4.
2. CONCRETE MIX ON "E" CURBING SHALL BE CLASS 3000 W/ AIR ENTRAINMENT.
3. CURB E-3, E-4, AND EXTRUDED CURB SHALL BE BONDED TO THE PAVEMENT. PINNING MAY BE REQUIRED BY THE CITY ENGINEER.
4. DUMMY JOINTS SHALL BE PLACED AT 10 FEET ON CENTER FOR EXTRUDED CURBS.



TYPE E-1



TYPE E-4



TYPE E-3

| | | |
|--------------------|---------------------------------|---|
| | STANDARD PLANS | STR02B |
| | CEMENT CONCRETE E-CURB TYPES | Approved: Douglas Jefferson Director of Public Works/City Engineer |
| Revision: MAY 2005 | Not To Scale | By: L.C. |