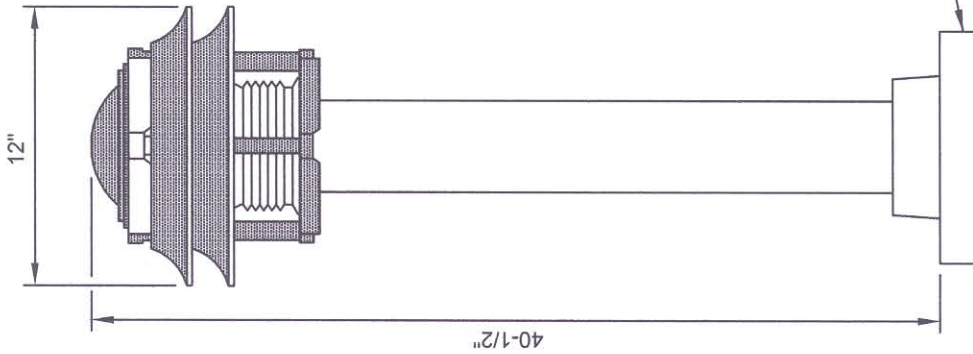


NOTES:

1. THIS STANDARD SHALL APPLY TO NORTH CREEK TRAIL ACCESS POINTS NORTH OF 164TH ST. SE, WEST OF SR 527 (BOTHELL-EVERETT HWY), SOUTH OF McCOLLUM PARK AND EAST OF NORTH CREEK.
2. INSTALLATION OF ALL LUMINAIRE COMPONENTS SHALL COMPLY WITH MANUFACTURER'S RECOMMENDATIONS.

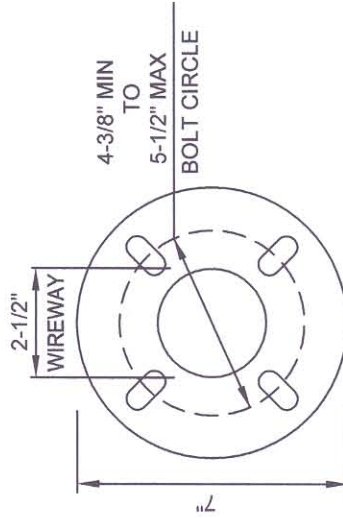


LUMINAIRE AND POLE:
 CANDB2-FRN-PH7 (CANDELA BOLLARD SERIES BY LUMEC) WITH CAST ALUMINUM HOUSING WITH LOUVERS, CLEAR FRESNEL LENS, PHOTOCELL AND EXTRUDED ALUMINUM 4-1/2" POLE WITH HINGED BASE.

COLOR: GN8-TX (TEXTURED DARK FOREST GREEN)
VOLTAGE: 240V
LAMP: 70W HPS (PROVIDED BY GE, PHILIPS OR SYLVANIA)
OPTICS: TYPE IV, LONG, CUTOFF

BASE COVER:
 ROUND COVER MADE FROM CAST ALUMINUM MECHANICALLY FASTENED TO THE BASE PLATE WITH FOUR STAINLESS STEEL SCREWS.

BASE PLATE:
 BASE PLATE COMES WITH 4 ANCHOR BOLTS AND 8 NUTS AND WASHERS. BOLT PROJECTION (ABOVE FOUNDATION) SHALL NOT EXCEED 1-3/4".



FOR FOUNDATION DETAILS SEE CITY OF MILL CREEK STANDARD PLAN LGT 082

| | | |
|--|--------------------|---------|
| | STANDARD PLAN | LGT 071 |
| | BOLLARD PATH LIGHT | |
| APPROVED: <i>Douglas Jefferson</i> Director of Public Works/City Engineer | | |
| REVISION: MAY 2005 | NOT TO SCALE | BY: JC |