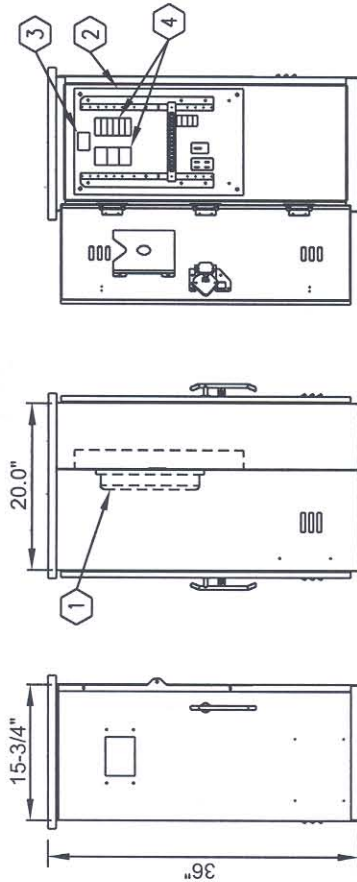


CABINET DETAILS:

CITY OF MILL CREEK TYPE "B" ELECTRICAL SERVICE CABINET (FLAT RATED - SERVICING ILLUMINATION ONLY), BY BROWNFIELD, SEE MANUFACTURER'S DRAWING #MC-B.

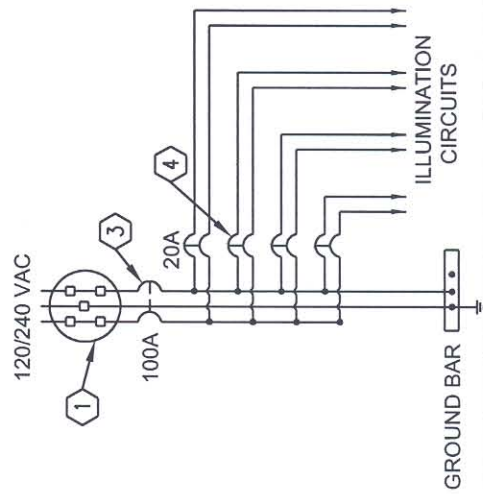


UTILITY SIDE

SIDE VIEW

SERVICE SIDE
(SHALL FACE THE STREET)

WIRING SCHEMATIC:



COMPONENT SCHEDULE:

- ① METERBASE:
200A, 4-JAW, U3504-XL METER SOCKET (WITH JUMPER - METER SHALL NOT BE INSTALLED), WITH 5TH JAW AT 9:00 POSITION (VERIFY WITH SERVICE UTILITY REPRESENTATIVE PRIOR TO FABRICATION).
- ② PANELBOARD:
120/240 VAC, 225A, 1Ø, 3-WIRE, COPPER BUS (SQUARE D LOAD CENTER)
- ③ MAIN BREAKER:
100A, 2-POLE
- ④ BRANCH BREAKERS:
4-20/2 ILLUMINATION (MAX 12 SINGLE POLE BREAKERS OR 6 DOUBLE POLE BREAKERS)
- ⑤ CABINET:
NEMA 3R PADMOUNT, 1/8" ALUMINUM, 5052 AL POWDER COATED ASA 61 GRAY OUTSIDE AND INSIDE, 2 SCREENED GASKETED VENTS AND HINGED DEADFRONT.
- ⑥ CABINET DOORS:
WITH CLOSED CELL NEOPRENE GASKETS, CARD HOLDER, HEAVY-DUTY CONCEALED HINGES (LIFT-OFF TYPE), STAINLESS STEEL VAULT HANDLES (INTEGRAL "BEST LOCK" ON SERVICE DOOR). FINISH SHALL BE POLYESTER POWDER COAT ASA 61 GRAY OUTSIDE AND INSIDE. UTILITY DOOR SHALL PROVIDED WITH 4"x6" POLISHED WIRE GLASS WINDOW.

NOTES:

1. CABINET SHALL BE UL LISTED PER STANDARD #508, SUITABLE FOR USE AS SERVICE ENTRANCE CABINET.
2. FOR SERVICE CABINET FOUNDATION DETAILS SEE CITY OF MILL CREEK STD SHEET LGT 087.

CITY OF MILL CREEK
DEPARTMENT OF PUBLIC WORKS

STANDARD PLAN LGT 086

ELECTRICAL SERVICE CABINET (TYPE "B")

APPROVED: *Douglas Jefferson*
Director of Public Works/City Engineer

REVISION: MAR 2005 NOT TO SCALE BY: JC